

PIPE CONNECTIONS



TYPE: GMV-W-C-W01

TYPE Tube end

DIFFERENT SIZES AND WALL THICKNESS

MATERIAL SS AISI 316L (w.nr. 1.4404)

[Page 167](#)

QUICK COUPLINGS



TYPE: GMV-CG-D-DW

TYPE Boost Cam & Groove coupler

STANDARD Federal Mil A-A-59326A

MATERIAL SS AISI 316 (w.nr. 1.4408)

[Page 168](#)



TYPE: GMV-CG-D-AW

TYPE Cam & Groove Adaptor

STANDARD Federal Mil A-A-59326A

MATERIAL SS AISI 316 (w.nr. 1.4408)

[Page 169](#)



TYPE: GMV-GU-D-WL

TYPE Guillemin coupling with locking ring

STANDARD NF E29-572

MATERIAL SS AISI 316 (w.nr. 1.4401)

[Page 170](#)

TYPE: GMV-CG-D-DW

CAM & GROOVE COUPLER

TYPE

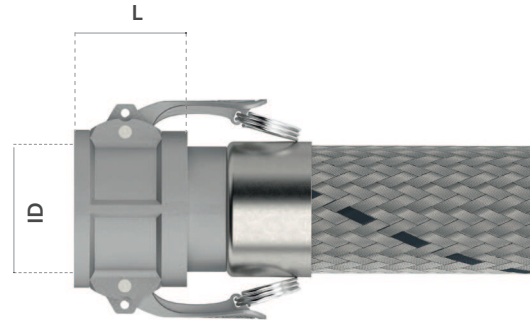
Boost Cam & Groove coupler

STANDARD

- Federal Mil A-A-59326A

MATERIAL

- SS AISI 316 (w.nr. 1.4408)



TYPE: GMV-CG-D-DW

Code	For hose ID		L		ID	
	NB	inch	mm	inch	mm	inch
GMV-CG-D-DW-3/4"	DN20	3/4"	69	2,72	32,4	1,28
GMV-CG-D-DW-1"	DN25	1"	80	3,15	37,3	1,47
GMV-CG-D-DW-1 1/4"	DN32	1.1/4"	90	3,54	46	1,81
GMV-CG-D-DW-1 1/2"	DN40	1.1/2"	93	3,66	54	2,13
GMV-CG-D-DW-2"	DN50	2"	104	4,09	63,8	2,51
GMV-CG-D-DW-2 1/2"	DN65	2.1/2"	106,5	4,19	76,5	3,01
GMV-CG-D-DW-3"	DN80	3"	112	4,41	92,2	3,63
GMV-CG-D-DW-4"	DN100	4"	115,5	4,55	120,3	4,74

TYPE: GMV-CG-D-AW

CAM & GROOVE ADAPTOR

TYPE

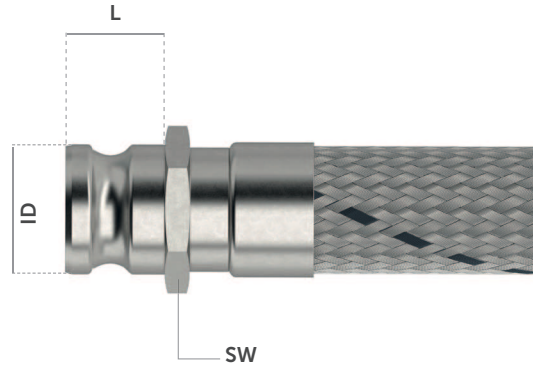
Boost Cam & Groove adaptor

STANDARD

- Federal Mil A-A-59326A

MATERIAL

- SS AISI 316 (w.nr. 1.4408)



TYPE: GMV-CG-D-AW

Code	For hose ID		L		ID		SW	
	NB	inch	mm	inch	mm	inch	mm	inch
GMV-CG-D-AW-1/2"	DN12	1/2"	76,5	3,01	12	0,47	HEX 25	HEX 25
GMV-CG-D-AW-3/4"	DN20	3/4"	77,4	3,05	18	0,71	HEX 35	HEX 35
GMV-CG-D-AW-1"	DN25	1"	87,8	3,46	24	0,94	HEX 39	HEX 39
GMV-CG-D-AW-1 1/4"	DN32	1.1/4"	101,1	3,98	32	1,26	OCT 48	OCT 48
GMV-CG-D-AW-1 1/2"	DN40	1.1/2"	104,2	4,10	38	1,50	OCT 55	OCT 55
GMV-CG-D-AW-2"	DN50	2"	111	4,37	48	1,89	OCT65	OCT65
GMV-CG-D-AW-2 1/2"	DN65	2.1/2"	121,2	4,77	60	2,36	OCT 80	OCT 80
GMV-CG-D-AW-3"	DN80	3"	132,8	5,23	76	2,99	OCT 95	OCT 95
GMV-CG-D-AW-4"	DN100	4"	134,3	5,29	100	3,94	TWE 123	TWE 123

TYPE: GMV-GU-D-WL

GUILLEMIN COUPLING WITH LOCKING RING

TYPE

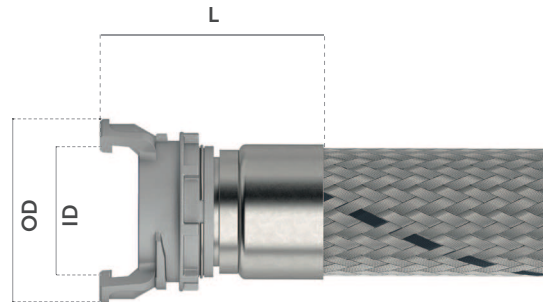
Guillemin coupling with locking ring

STANDARD

- NF E29-572

MATERIAL

- SS AISI 316 (w. nr. 1.4401)



TYPE: GMV-GU-D-WL

Code	For hose ID		L		OD		ID	
	NB	inch	mm	inch	mm	inch	mm	inch
GMV-GU-D-WL-DN40	DN40	1.1/2"	102	4,02	71,3	2,81	40,0	1,57
GMV-GU-D-WL-DN50	DN50	2"	118	4,65	87,1	3,43	49,8	1,96
GMV-GU-D-WL-DN65	DN65	2.1/2"	114,5	4,51	103,7	4,08	65,3	2,57
GMV-GU-D-WL-DN80	DN80	3"	129,6	5,10	124,1	4,89	80,5	3,17
GMV-GU-D-WL-DN100	DN100	4"	138,9	5,47	148,0	5,83	100,6	3,96