

PTFE EXPANSION JOINT

PTFE T5

Expansion joint with loose flanges, carbon steel painted.

STANDARD

ASTM D-4895

Flanges: EN 1092-1

MATERIAL

Bellow: white PTFE

Flanges: carbon steel

OTHER SPECIFICATIONS

Pressure class bellow: see pressure resistance table

Flange pattern: DN15-40:PN40

DN50-150: PN16

DN200-500: PN10

ALSO AVAILABLE

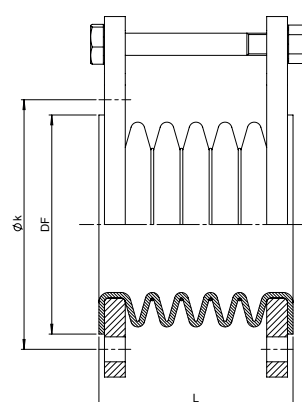
Stainless steel flanges

Flanges acc. ASME B16.5

Antistatic (black) PTFE

POSSIBLE ACCESSORIES

■ Always equipped with limiters



TECHNICAL DATA

	CODE	DN	L mm	DF mm	ϕk mm	NOC -	Movements			Eff. A cm ²	Spring rate ax. N/mm
							\pm ax mm	\pm lat mm	\pm ang °		
PTFE T5 EXPANSION JOINT	KPL015	15	68	45	65	5	8	5	20	24	12
	KPL020	20	68	58	75	5	8	5	20	24	12
	KPL025	25	100	68	85	5	15	12	20	24	12
	KPL032	32	105	78	100	5	15	12	20	33	26
	KPL040	40	115	88	110	5	20	12	20	40	30
	KPL050	50	125	102	125	5	25	12	20	55	39
	KPL065	65	145	122	145	5	30	13	20	85	56
	KPL080	80	160	138	160	5	35	16	20	113	68
	KPL100	100	165	158	180	5	40	16	20	158	74
	KPL125	125	170	188	210	5	40	16	20	222	82
	KPL150	150	180	212	240	5	40	16	20	299	78
	KPL200	200	210	268	295	5	40	16	20	483	86
	KPL250	250	240	320	350	5	50	16	20	731	81
	KPL300	300	250	378	400	5	50	16	20	973	74

PRESSURE RESISTANCE TABLE (3-5 CONVOLUTIONS)

TEMPERATURE	PRESSURE DN15-DN100	PRESSURE DN125-250
20°C	10	10
50°C	9,6	8,6
100°C	8,6	7
125°C	7,2	5,3
150°C	5,8	3,9
175°C	4,5	2,7
200°C	3,2	1,7
225°C	1,5	0,5
250°C	0,5	0,2